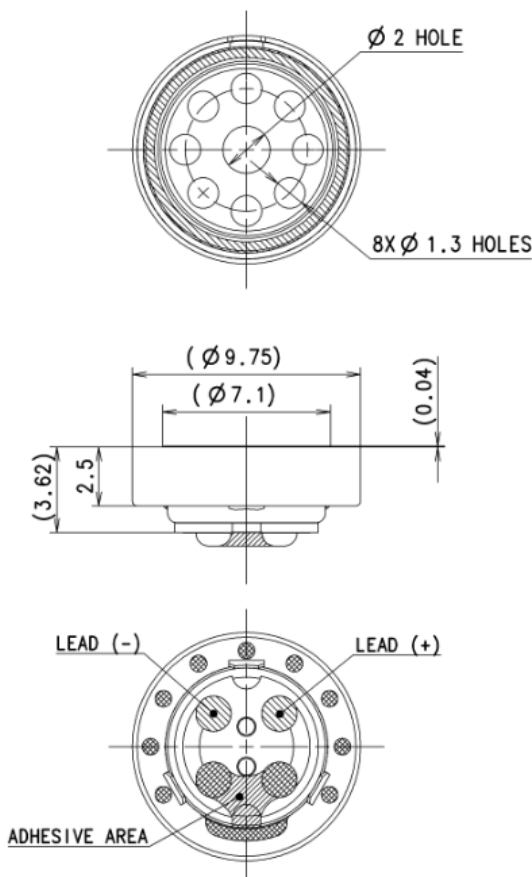


一般仕様/General Specification

Unit size	Φ9mm
Impedance	16Ω (at 1kHz)
Resonance Frequency	3.4K Hz at 6mW (Free Air)
SPL	110 dB (at 1kHz)
Rated Input	6mW
Buzz and Rattle	6mW
Terminal	Solder
Weight	0.7g
Operating Temp.	-25°C/70°C
Storage Temp.	-25°C/70°C
Frequency Range	20-20,000Hz



外観図/Outside View



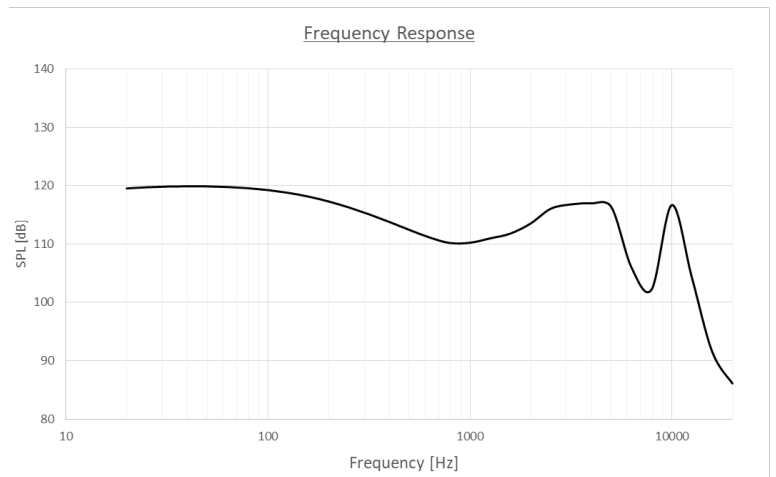
特性図/Frequency Response

測定条件/Condition

入力/Input : 1mW(16Ω)

人口耳/Coupler adapter : IEC60318-4

前室容積/Front clearance : 0.127cc(φ3X18mm)



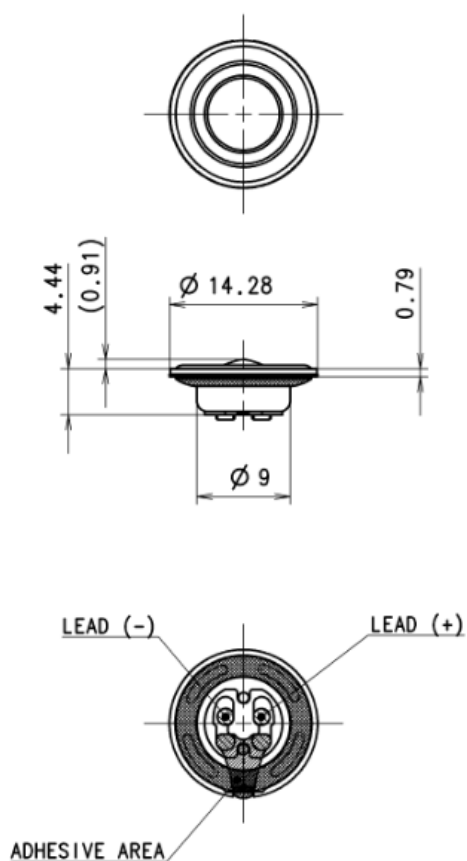
1	Initial release	2021/6/25
rev.	Description	Date

一般仕様/General Specification

Unit size	Φ14mm
Impedance	30Ω (at 1kHz)
Resonance Frequency	260 Hz at 1mW (Free Air)
SPL	75 dB (at 1kHz)
Rated Input	30mW
Buzz and Rattle	4mW
Terminal	Solder
Weight	1.5g
Operating Temp.	-25°C/70°C
Storage Temp.	-25°C/70°C
Frequency Range	125-20,000Hz



外観図/Outside View



特性図/Frequency Response

測定条件/Condition

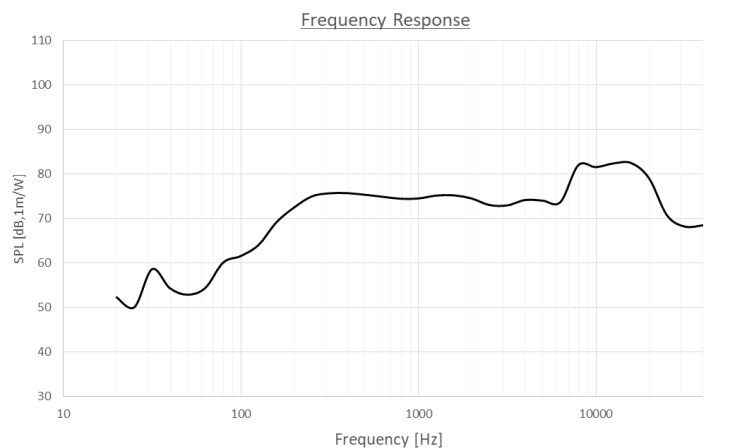
入力/Input : 1mW (30Ω)

測定距離/Mic. distance : 0.1m

入力換算/Standardization : 1m/1W

測定箱/Measuring box : IEC 60268 Standard box

測定室/Measuring room : Anechoic room



1	Initial release	2021/6/25
rev.	Description	Date